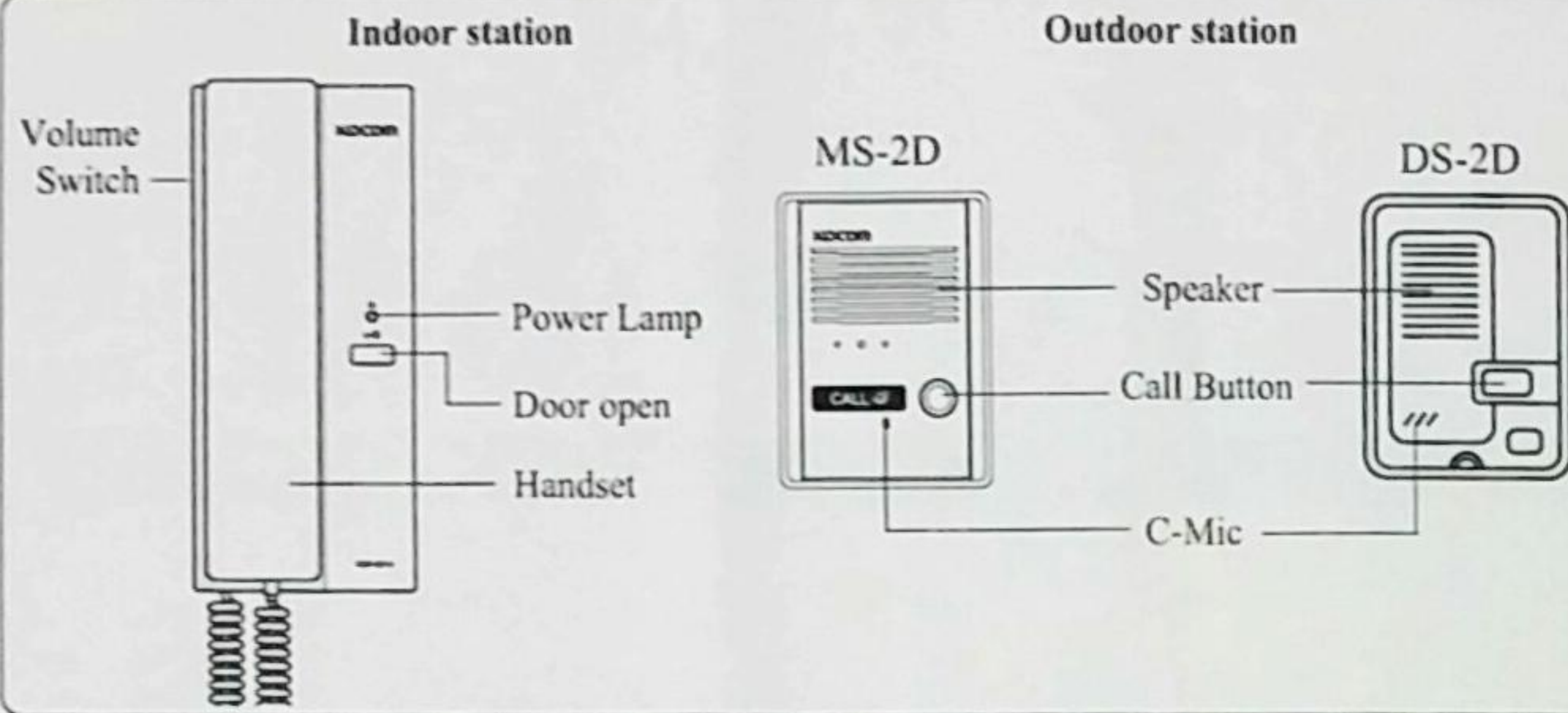
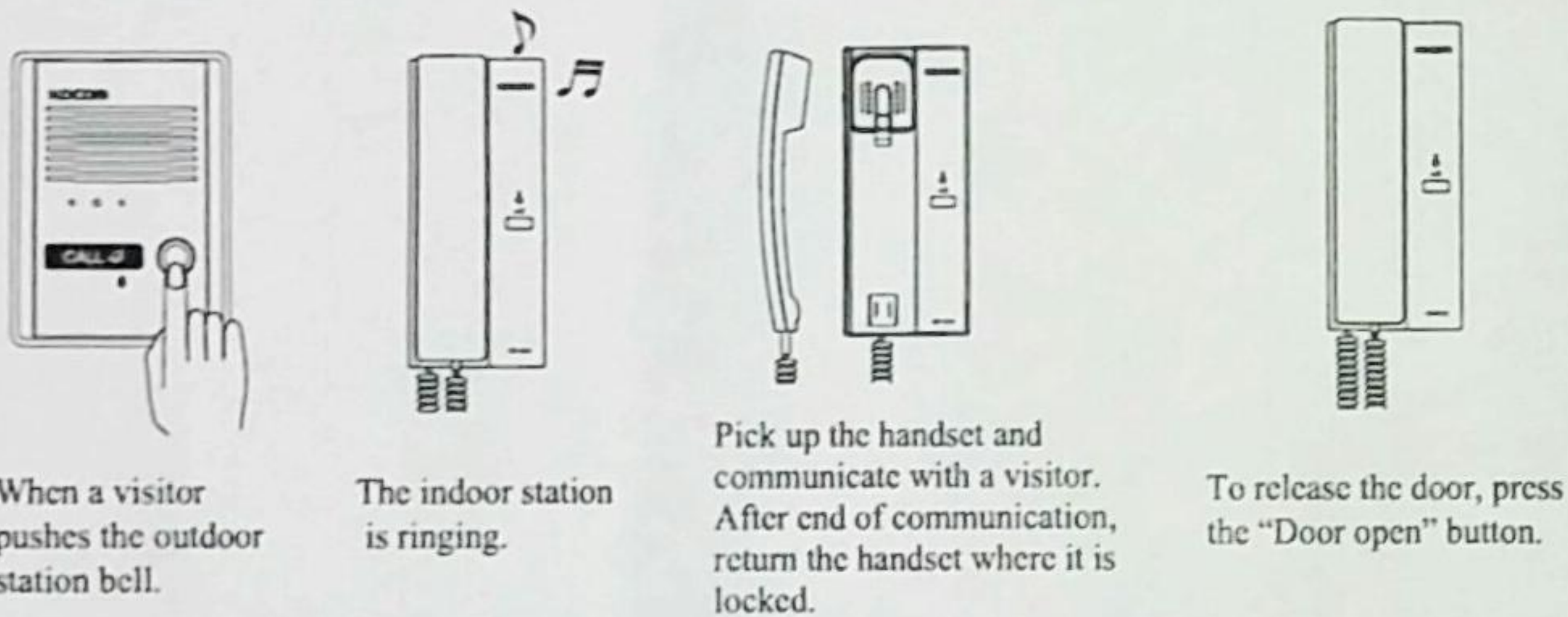


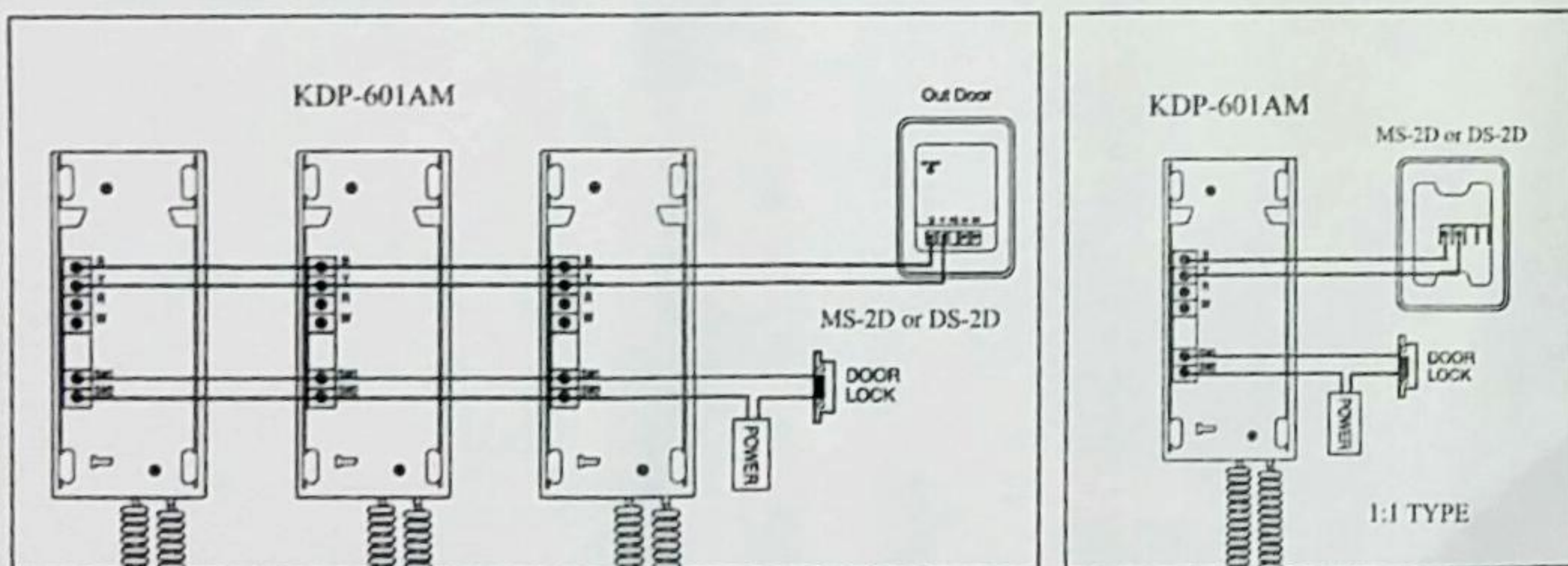
## Name of Each Part



## How to operate (Instruction for operating)

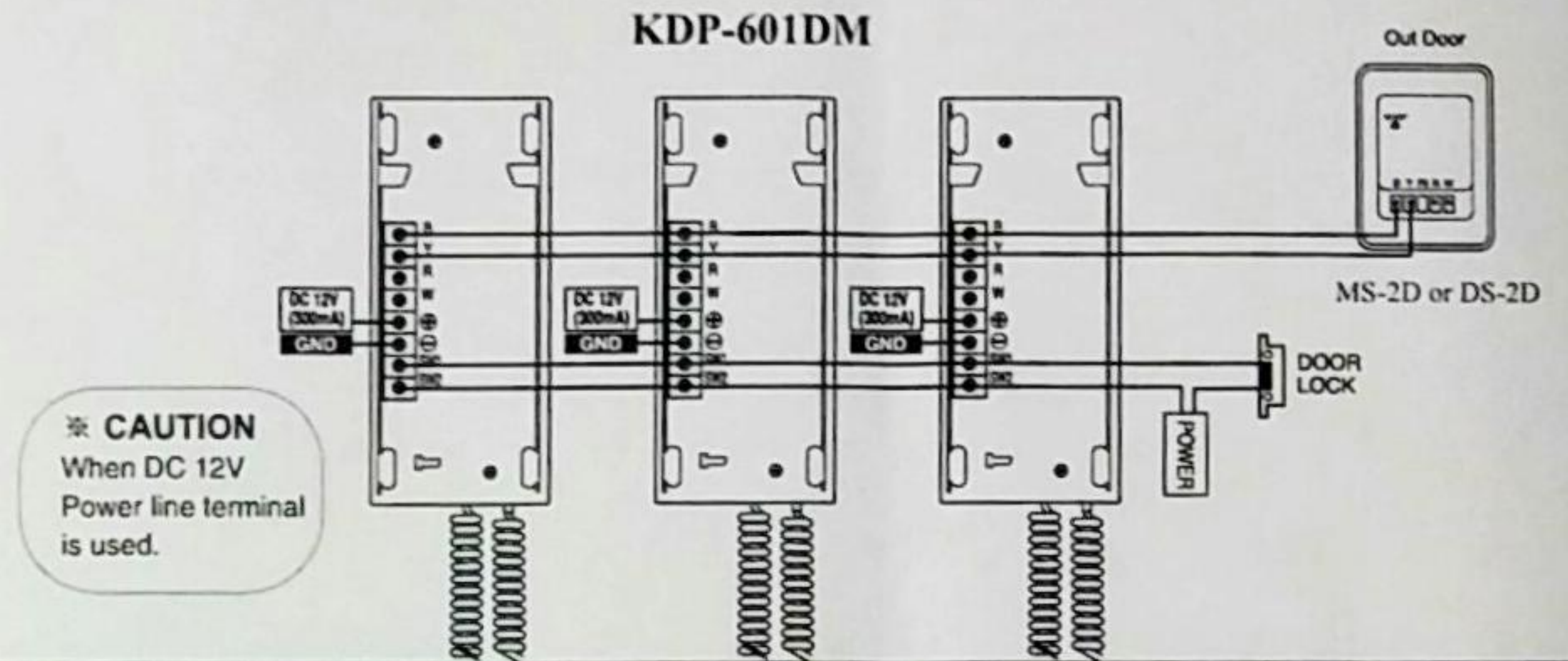


## Wring Diagram



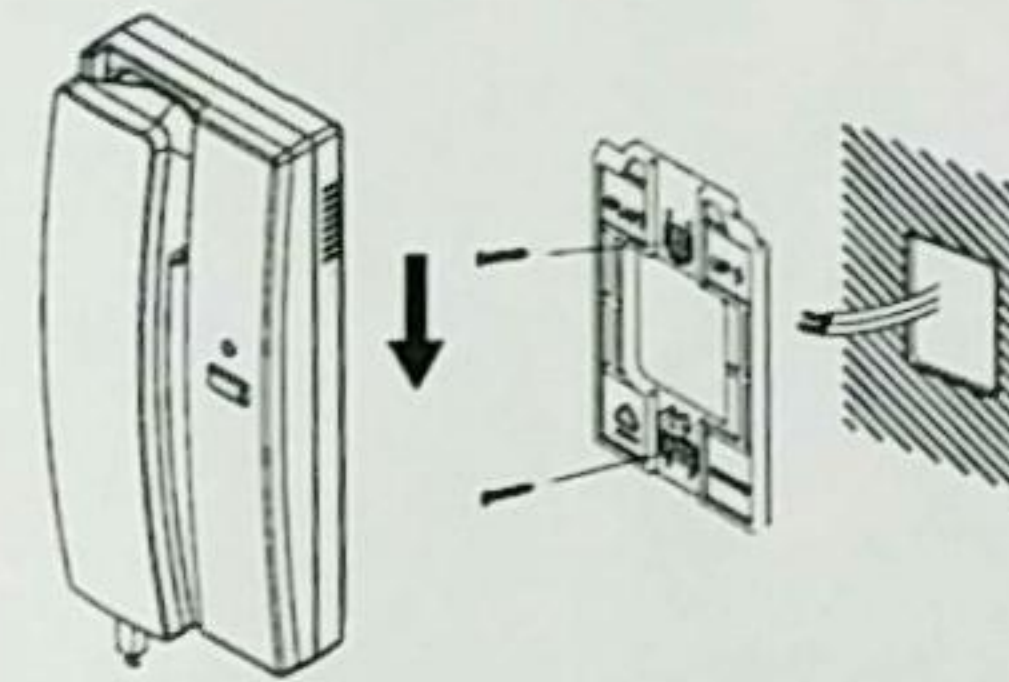
- Mains plug is used as the disconnect device, the disconnect device shall remain readily operable.
- The apparatus shall not be exposed to dripping or splashing and that no objects filled with liquids, such as vases, shall be placed on the apparatus.

## Wiring Diagram



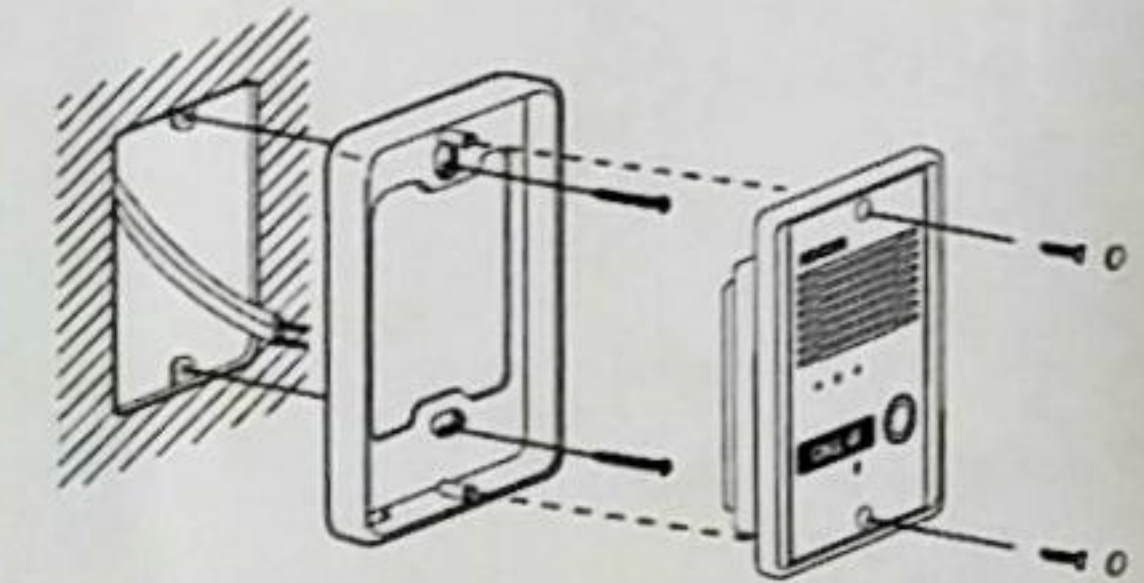
## Installation

### Installation of Indoor station



- Choose a place on the wall where you want to hang the Indoor station.
- Fasten the wall hanger on the wall.
- Indoor station can be hung on the wall hanger easily now.

### Installation of outdoor station



After attaching the body supporter with 2screws, put the indoorstation into the grooves of body supporter, and then fix it with screws.

## Specifications

Description	KDP-601AM	KDP-601DM
Electric source	AC 110V / AC220V (Saudi arabia) : 220V	BATTERY: 6V (4 Piece of 1.5V batteries)
Consumption	Un load: 0.5W Inload: 5W	LINE TERMINAL: 12V / 300mA
Signal Sound	Chime	Un load: 0.25mW Inload: 1.3W
Wiring	2Wired polarity	Chime
Range	300m(φ 0.65mm)	2Wired polarity
		300m(φ 0.65mm)

## Component

- Master station for indoor-use
- Out door pannel
- Wall hanger for master station