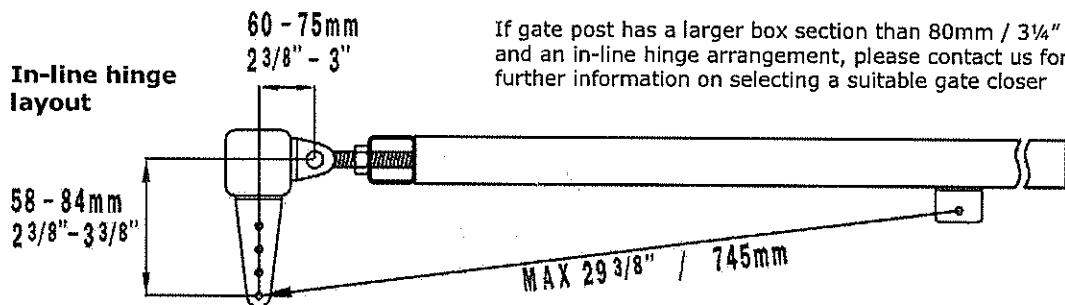
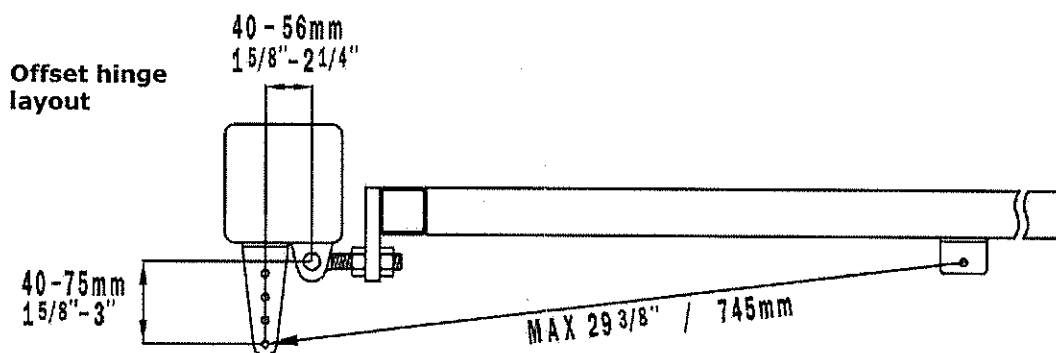


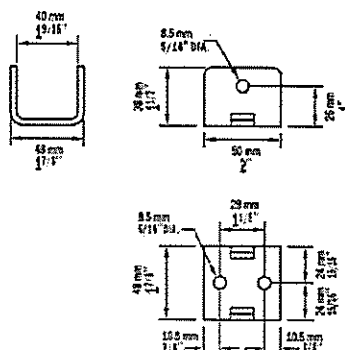
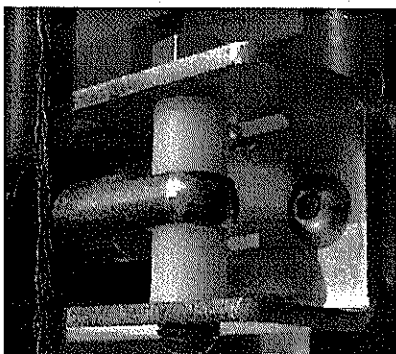
Installation Drawings



If gate post has a larger box section than 80mm / 3 1/4" and an in-line hinge arrangement, please contact us for further information on selecting a suitable gate closer



Gate Bracket



Post Bracket

