

Fitting Instructions

Electrical Connection Manual

The product conforms to European Directives EEC 89/ 336, EEC 92/31 and EEC 93/68 on electromagnetic compatibility, in compliance with EN50081-1 and EN50082-1.

Electric data:

- rated voltage 12 V - rated current 2,3 A
- resistance dc 3,1 Q
- frequency 50 + 60 Hz - class F insulation
- intermittent-type service

CAUTION

Read these instructions carefully and keep them for future reference. All data and declarations on this sheet annul and supersede previous information sheets. Install the electrical system in compliance with the national standards in force. Ensure that electrolock power is only supplied by a safety transformer (in compliance with EN60742) or other power source with equivalent level of safety.

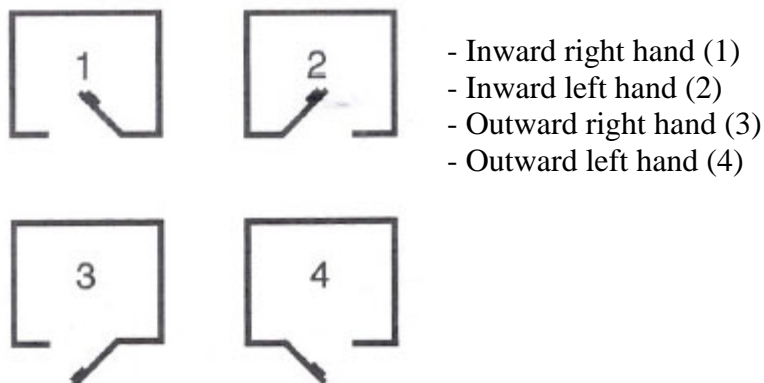
Before connecting the electrolock make sure that transformer output voltage is equal to rated electrolock voltage. Transformer power must be at least 15 VA. Ensure that the system is adequately protected against short circuits. The control unit (manual or electronic) must be sized for the current absorbed by the electrolock, must comply with the safety standards in force and must guarantee a level of safety equal to that provided by the safety transformer. The electrical system must be disconnected from the mains when effecting cable connection or doing any other work on the electrolock. Use standard-approved wiring with a minimum cross section of 1 mm.

CISA accepts no responsibility for any damages caused by inobservance of the above Instructions.

Directions for Installation of Rim Electric Locks

Instructions for Cisa Electric Rim lock series 11521, 11540, 11551,11560, 11610, 11560, 11610, 11611, 11630, 11560, 11610, 11630,11631, 11660,11661,11670, 11671, 11721, 11731, 11761, 11771, 11823, 11921, 11931.

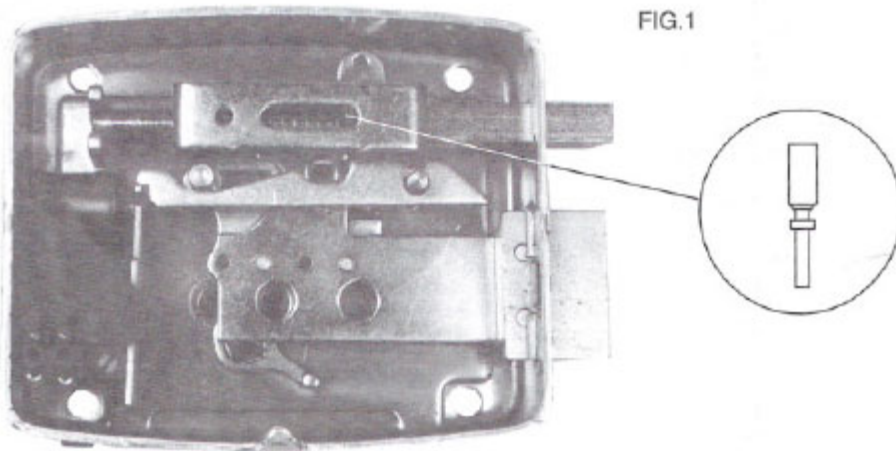
Determining the door hand:



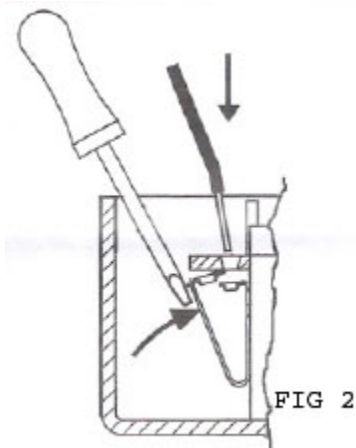
The lock is set for heavy doors. When used on light doors, remove the (patented) red pin to smoothen the closing of door fig. 1.

To avoid dephasing the mechanism before disassembling and assembling the lock cover out key from cylinders.

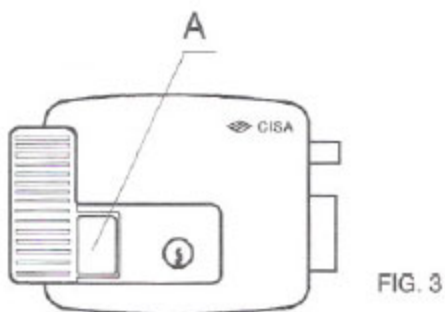
The lock is provided with patented dead-locking latch. For a proper operation, place lock at a distance not exceeding 7 mm. from strike. Upside down installation should be avoided.



In order to connect the wires up to the lock terminals, press each tab, as shown in the diagram, until the holes are aligned, and then insert the cables after removing the insulating material from their ends (fig. 2).



To operate the "STOP DEVICE" (series 11551,11560,11630,11631,11731,11931), press push-button A and block it by turning the key (fig. 3).



LOCK LATCH ELECTRIC RELEASE ADJUSTMENT (to be performed when the gate is open).

The electric operation of this lock is tested with a suitable voltage according to the minimum standards of electric systems.

In the event that power input to the lock should be lower than these values, and therefore, that the lock will not open, the adjustment screw should be turned gradually in the direction indicated by the arrow (fig. 4), which will help reach the lock latch electric release conditions.

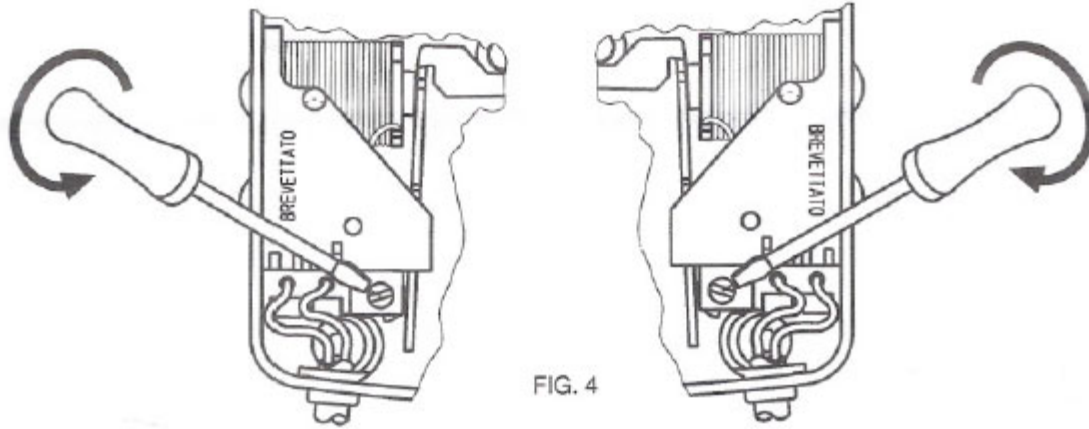


FIG. 4

Right-handed locks - Hand 1

Left-handed locks - Hand 2