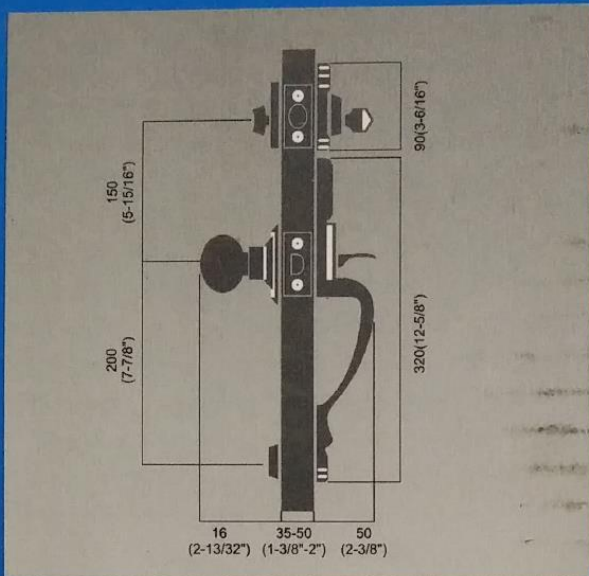
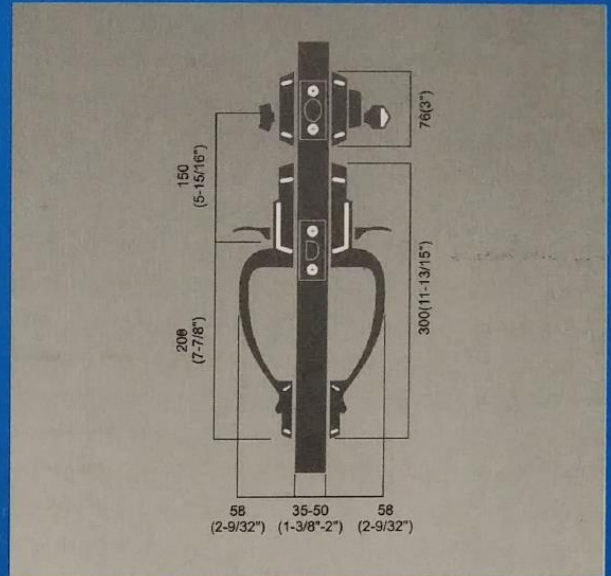


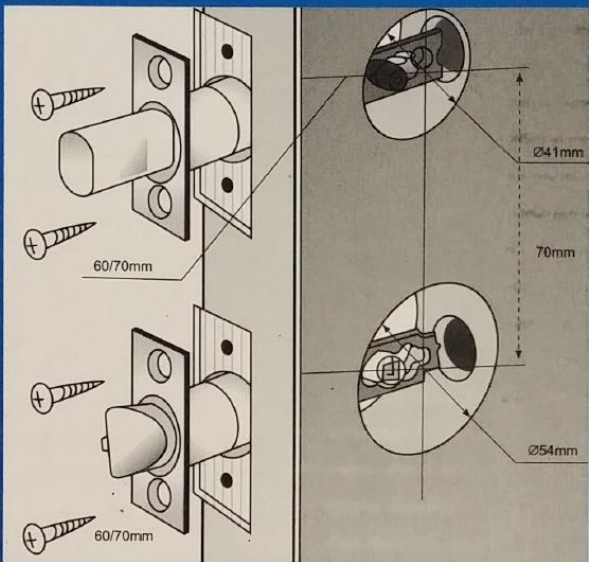
# Installation



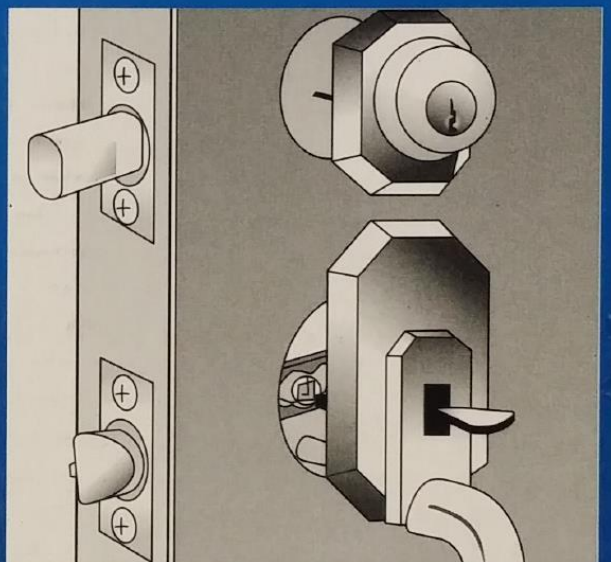
ONE SIDE HANDLE



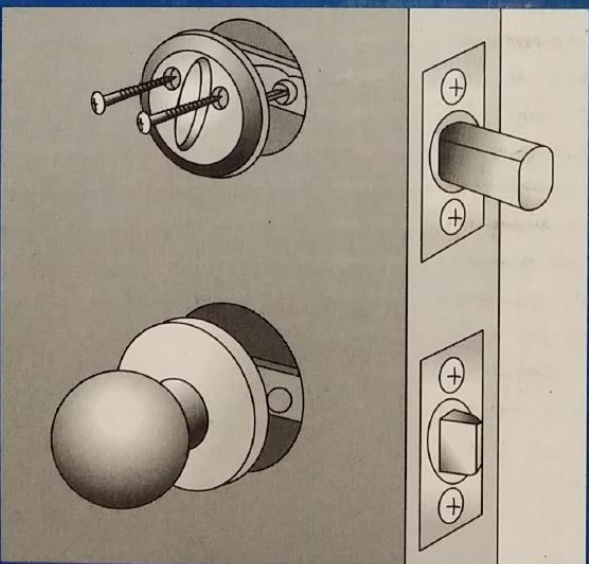
BOTH SIDE HANDLES



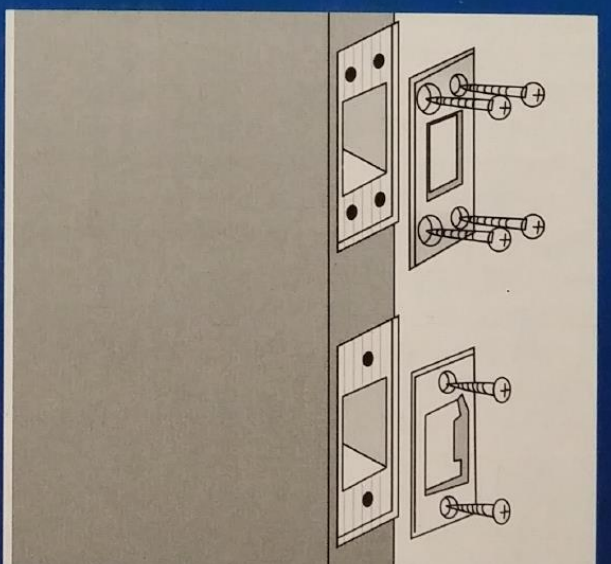
Install 1" deadbolt latch and lower handleset latch



Install outer deadbolt trim and handleset trim



Install inner deadbolt trim and knob trim



Install upper and lower strike plates