

“V05” – ADJUSTABLE BACKSET FROM 50 TO 80 MM

- Completely interchangeable with the V75 electric locks without replacing the striker.
- Brass latch – Steel ejector incorporated into the latch.
- Supplied with adjustable height striker, with self-lubricating nylon support in contact with the ejector.
- **Keys:** supplied with 3 Viro profile nickel-plated brass keys.
Versions available with universal profile keys to replace the most common electric locks already installed without the need to withdraw keys in use. (Cylinders can be re-keyed with keying kit).
- All special executions are possible for the cylinder.



1.7962 SERIES – DOUBLE CYLINDER

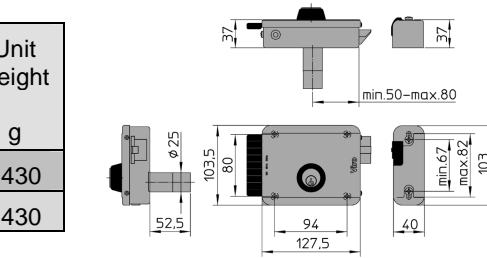
- Fixed internal cylinder – fixed or loose external cylinder.
- Metallized bronze painted.
- Can be installed on wooden or metal doors or gates.
- Nylon handle and cylinder ring nut.

| | ITEM No. | Backset mm | Lock dimensions mm | Internal cylinder (fixed) Item No. | External cylinder (fixed) Item No. | External cylinder (loose) Item No. | Unit weight g |
|-------|---------------|------------|--------------------|------------------------------------|------------------------------------|------------------------------------|---------------|
| Right | 1.7962.0712.1 | 50 ÷ 80 | 127,5 x 103,5 | 791 | - | 712 | 1430 |
| Left | 1.7962.0712.2 | 50 ÷ 80 | 127,5 x 103,5 | 791 | - | 712 | 1430 |

For versions with universal profile keys the item code should be followed by: .UN

1.7972 SERIES – DOUBLE CYLINDER AND PUSH BUTTON

- Fixed internal cylinder – loose external cylinder.
- Brass push button.
- Metallized bronze painted.
- Can be installed on wooden or metal doors or gates.
- Nylon handle and cylinder/button ring nut.
- By rotating the key from the inside, it is possible to:
 - ✓ block or activate the button function;
 - ✓ block or activate the “dogging device” function (possibility to keep the lock always open, if required).



| | ITEM No. | Backset mm | Lock dimensions mm | Internal cylinder (fixed) Item No. | External cylinder (loose) Item No. | Unit weight g |
|-------|---------------|------------|--------------------|------------------------------------|------------------------------------|---------------|
| Right | 1.7972.0712.1 | 50 ÷ 80 | 127,5 x 103,5 | 791 | 712 | 1480 |
| Left | 1.7972.0712.2 | 50 ÷ 80 | 127,5 x 103,5 | 791 | 712 | 1480 |

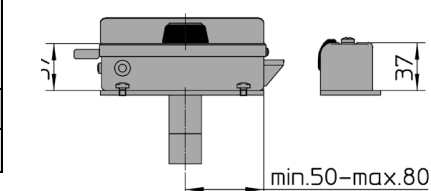
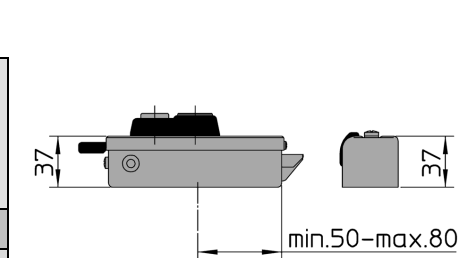
For versions with universal profile keys the item code should be followed by: .UN

1.7992 SERIES – DOUBLE CYLINDER

- Fixed internal cylinder – fixed external cylinder.
- Fully galvanized.
- Can be installed on metal doors or gates.
- Nylon handle and cylinder ring nut.

| | ITEM No. | Backset mm | Lock dimensions mm | Internal cylinder (fixed) Item No. | External cylinder (fixed) Item No. | Unit weight g |
|-------|---------------|------------|--------------------|------------------------------------|------------------------------------|---------------|
| Right | 1.7992.0794.1 | 50 ÷ 80 | 127,5 x 103,5 | 791 | 794 | 2100 |
| Left | 1.7992.0794.2 | 50 ÷ 80 | 127,5 x 103,5 | 791 | 794 | 2100 |

For versions with universal profile keys the item code should be followed by: .UN



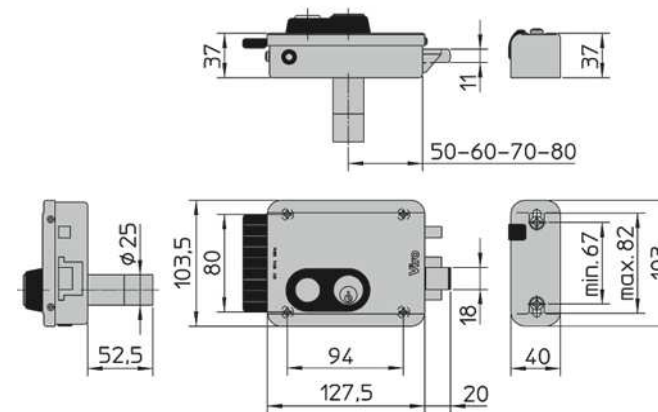
58030170205015 – 06/2011

GENERAL STRUCTURAL FEATURES

- **Power supply:** 12V C.A. (on request: 12V C.C. , 24V C.A. o C.C.)
Opening: - key operated from the outside;
- key operated or by an electric impulse from the inside;
(with push button items 8972 e 8977).
- **Galvanized box, back cover and striker** (items 8972 e 8977 painted over galvanized base grey Ral 7040).
- Nylon handle and cylinder ring nut; for items 8972 e 8977 brass push button.
- **Cylinders: internal and external fixed cylinders**, brass; supplied with 3 Viro profile keys (item 015) brass nickel plated. Mushroom brass counterpins, pick-resistant.
Versions available with universal profile keys to replace the most common electric locks already installed without the need to withdraw keys in use. (Cylinders can be re-keyed with keying kit).
- **Brass latch** (nickel plated for items 8977 e 8997).
- **Steel ejector, nickel plated finish.**
- **Supplied with:**
- for items 8992, 8997 e 1.7992 : galvanized roof-plate and striker plate; fixing screws (with metric step); screw for backset adjustment and installation instructions;
- for items 8972 e 8977: fixing screws (self threading); screw for backset adjustment and installation instructions.

“BLOCK OUT” WITH DEADBOLT AND ADJUSTABLE BACKSET 50-60-70-80 MM

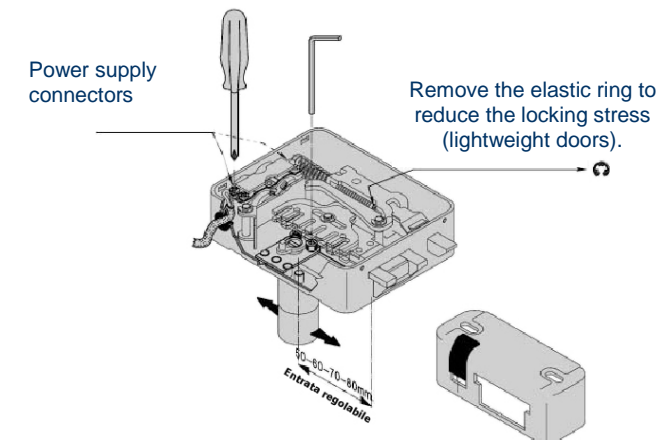
- **Interchangeable with Viro V97 electric locks (items 8972 e 8992) and most other already installed electric locks**, thanks to the same universal fixing holes **and maintaining installed the same striker.**
- **It is also possible to maintain the striker in case of replacement of the main already installed electric locks latch only.**
- Very easy installation:
 - ✓ **adjustable backset 50-60-70-80 mm** (the electric locks with deadbolt supplied from the competitors do not include this technical feature);
 - ✓ **vertically adjustable striker**, with self-lubricating nylon support opposite the ejector.
 - ✓ Self-locking latch in the locked position.
- If the deadbolt is inserted the lock can only be opened with the key.
- The ejector is separated from the latch to ensure the correct working of the lock, even if there is vertical adjustment between the lock and the striker up to +/- 6 mm. If installed on lightweight doors or gates, the locking stress can be reduced by removing an elastic ring from the inside of the lock.



ART.8997 –DOUBLE CYLINDER



ART.8977 - DOUBLE CYLINDER WITH INTERNAL PUSH BUTTON

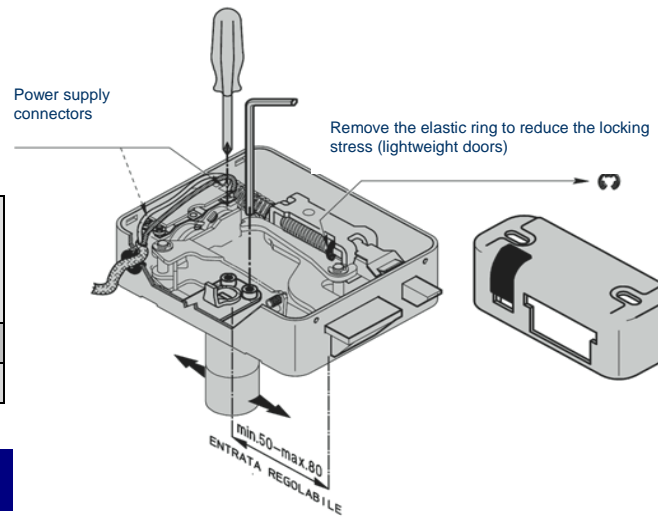


| | ITEM. N. | Backset mm. E | Lock dimensions mm. | Intrnal cylinder (fixed) Item. N. | External cylinder (fixed) Item. N. | External cylinder (loose) Item. N. | Unit weight gr. |
|---|------------|---------------|---------------------|-----------------------------------|------------------------------------|------------------------------------|-----------------|
| Painted versions with galvanised base | | | | | | | |
| Right | 8967.712.1 | 50-60-70-80 | 127,5 x 103,5 | 791 | - | 712 | 1590 |
| Left | 8967.712.2 | 50-60-70-80 | 127,5 x 103,5 | 791 | - | 712 | 1590 |
| Fully galvanized versions with galovanised roof-plate (item 8992.0600) | | | | | | | |
| Right | 8997.794.1 | 50-60-70-80 | 127,5 x 103,5 | 791 | 794 | - | 2280 |
| Left | 8997.794.2 | 50-60-70-80 | 127,5 x 103,5 | 791 | 794 | - | 2280 |

For versions with universal profile keys the item code should be followed by: .UN

“V97” ADJUSTABLE BACKSET FROM 50 TO 80 MM

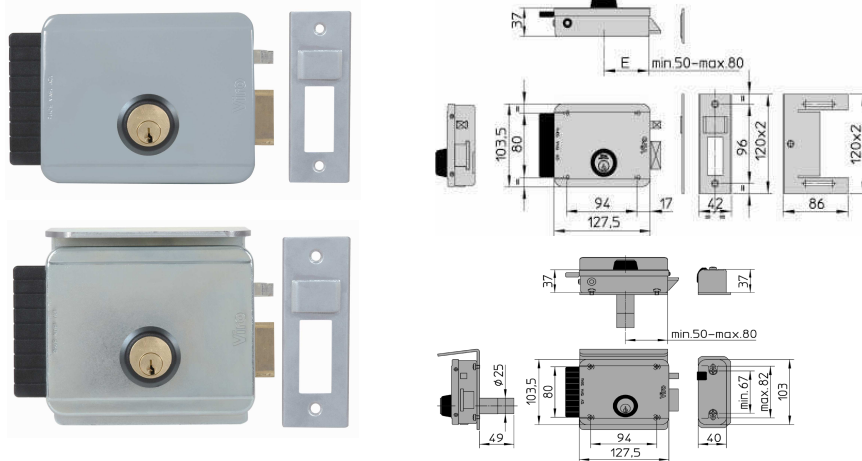
- **Interchangeable with the most already installed electric locks**, thanks to the same universal fixing holes **and maintaining installed the same striker**.
- Self locking latch in the locked position.
- The ejector is separated from the latch to ensure the correct working of the lock, even if there is vertical adjustment between lock and the striker up to +/- 6 mm.
- Very easy installation:
 - ✓ **perfectly adjustable backset from 50 to 80 mm** (the electric locks supplied from the competitors do not include this technical feature);
 - ✓ **vertically adjustable striker**, with self-lubricating nylon support opposite the ejector;
 - ✓ for the versions with external opening **stiker inox steel**.
- If installed on lightweight doors or gates, the locking stress can be reduced by removing an elastic ring from the inside of the lock.
- **Keys:** supplied with 3 Viro profile nickel-plated brass keys. Versions available with universal profile keys to replace the most common electric locks already installed without the need to withdraw keys in use.



| | ITEM No. | Backset mm | Lock dimensions mm | Internal cylinder (fixed) Item No. | External cylinder (fixed) Item No. | Unit weight g |
|-------|----------|------------|--------------------|------------------------------------|------------------------------------|---------------|
| Right | 8992.1 | 50 ÷ 80 | 127,5 x 103,5 | 791 | 794 | 2165 |
| Left | 8992.2 | 50 ÷ 80 | 127,5 x 103,5 | 791 | 794 | 2165 |

For versions with universal profile keys the item code should be followed by: .UN

“V97” EXTERNAL OPENING ONLY CYLINDER

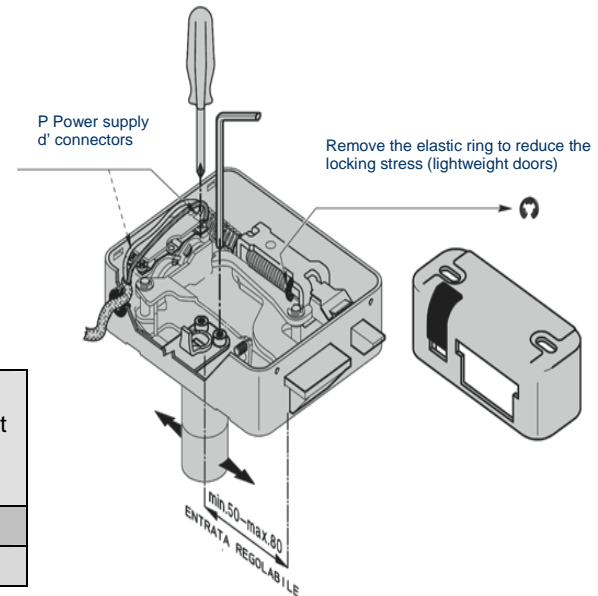
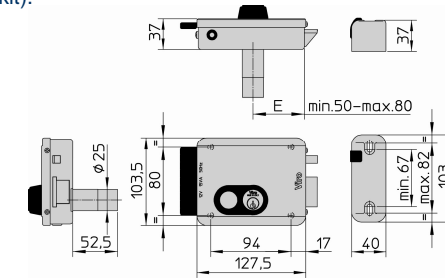


| | ITEM. No. | Backset mm. | Lock dimensions mm. | Internal cylinder (fixed) Item. N. | External cylinder (fixed) Item. N. | External cylinder (loose) Item. N. | Unit weight gr. |
|---|------------|-------------|---------------------|------------------------------------|------------------------------------|------------------------------------|-----------------|
| Painted versions with galvanised base | | | | | | | |
| Right | 8963.712.1 | 50-60-70-80 | 127,5 x 103,5 | 791 | - | 712 | 1400 |
| Left | 8963.712.2 | 50-60-70-80 | 127,5 x 103,5 | 791 | - | 712 | 1400 |
| Fully galvanised versions with galovanised roof-plate (art. 8992.0600) in galvanised steel | | | | | | | |
| Right | 8993.794.1 | 50-60-70-80 | 127,5 x 103,5 | 791 | 794 | - | 2000 |
| Left | 8993.794.2 | 50-60-70-80 | 127,5 x 103,5 | 791 | 794 | - | 2000 |

For versions with universal profile keys the item code should be followed by: .UN

“V97” WITH PUSH BUTTON AND ADJUSTABLE BACKSET FROM 50 TO 80 MM

- **Interchangeable with the most already installed electric locks**, thanks to the same universal fixing holes **and maintaining installed the same striker**.
- Self locking latch in the locked position.
- The ejector is separated from the latch to ensure the correct working of the lock, even if there is vertical adjustment between lock and the striker up to +/- 6 mm.
- By rotating the key from the inside, it is possible to:
 - ✓ block or activate the button function;
 - ✓ block or activate the “dogging device” function (possibility to keep the lock always open, if required).
- Very easy installation:
 - ✓ **perfectly adjustable backset from 50 to 80 mm** (the electric locks supplied from the competitors do not include this technical feature);
 - ✓ **vertically adjustable striker**, with self-lubricating nylon support opposite the ejector;
 - ✓ for the versions with external opening **stiker inox steel**.
- If installed on lightweight doors or gates, the locking stress can be reduced by removing an elastic ring from the inside of the lock.
- **Keys:** supplied with 3 Viro profile nickel-plated brass keys. Versions available with universal profile keys to replace the most common electric locks already installed without the need to withdraw keys in use. (Cylinders can be re-keyed with keying kit).



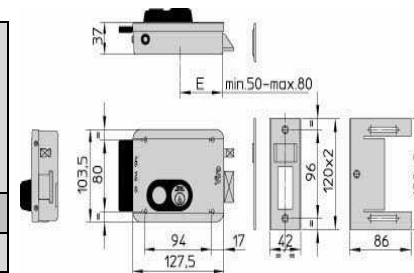
| | ITEM No | Backset mm | Lock dimensions mm | Internal cylinder (fixed) Item No. | External cylinder (fixed) Item No. | Unit weight g |
|-------|---------|------------|--------------------|------------------------------------|------------------------------------|---------------|
| Right | 8972.1 | 50 ÷ 80 | 127,5 x 103,5 | 791 | 794 | 1535 |
| Left | 8972.2 | 50 ÷ 80 | 127,5 x 103,5 | 791 | 794 | 1535 |

For versions with universal profile keys the item code should be followed by: .UN

“V97” EXTERNAL OPENING WITH BOTTOM



| | ITEM No | Backset mm. | Lock dimensions mm. | Internal cylinder (fixed) Item No. | External cylinder (loose) Item No. | Unit weight gr. |
|-------|------------|-------------|---------------------|------------------------------------|------------------------------------|-----------------|
| Right | 8973.712.1 | 50-60-70-80 | 127,5 x 103,5 | 791 | 712 | 1450 |
| Left | 8973.712.2 | 50-60-70-80 | 127,5 x 103,5 | 791 | 712 | 1450 |



For versions with universal profile keys the item code should be followed by: .UN