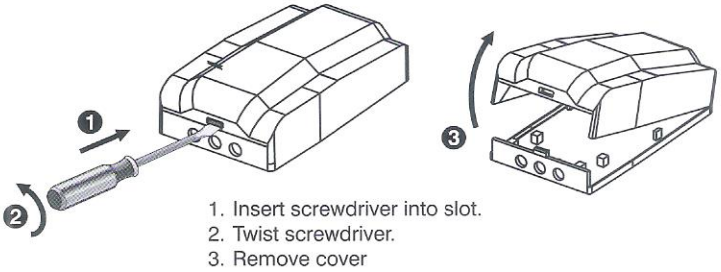


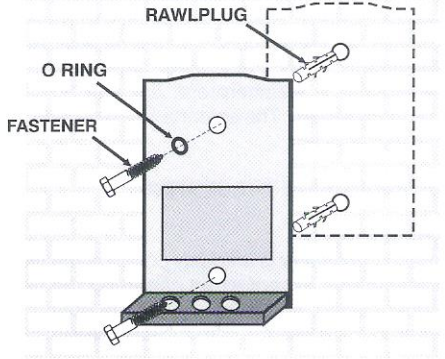
INSTALLATION INSTRUCTIONS

REMOVE COVER

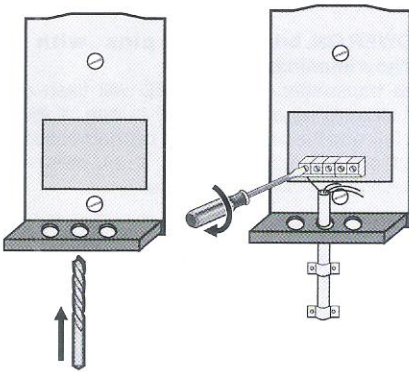


MOUNT UNIT

1. Mark position of unit against mounting surface.
2. Using a 5mm masonry bit, drill holes into mounting surface
3. Mount the unit using the fasteners supplied.



WIRING



1. Use a 6mm drill bit to open the required cable entry hole.
2. Fix cable to wall using cable saddles.
3. Seal all holes with silicon sealant.

CONNECTIONS

1. Supply the unit with 12-24V AC/DC.
2. The output contact is potential free. Some applications might require an external link between NEG and COM.
3. Extend the antenna wire fully for best results.

