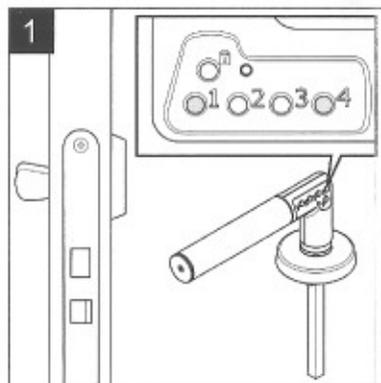


Fitting instructions

Suitable for door thicknesses 42-80mm



Before fitting the handle to the door, it has to be initiated with an administration code. The handle has no administration code when delivered.

1. Keep the handle horizontal with the spindle pointing down.

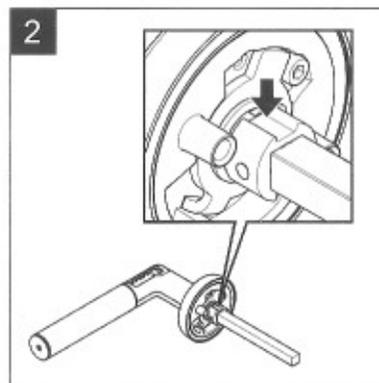
Press button 1 and 4 at the same time. The LED will flash red.

Stop pressing the buttons. The green light will stay on constantly.

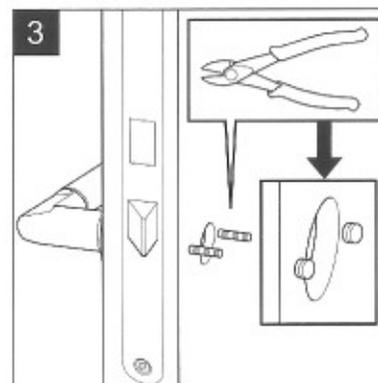
Enter the new 6 digit administration code. The light will flash green rapidly.

A new administration code is valid.

To change administration code, repeat the notes above. N.B. that all user codes will disappear when you change administration code (reset the handle).



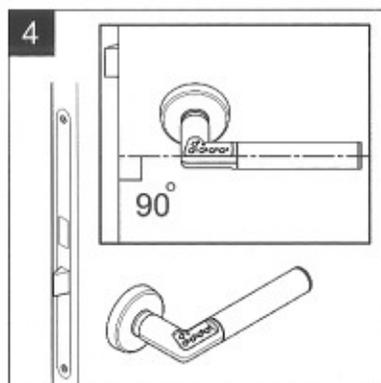
2. Turn the spindle so that the track points upwards, as shown.



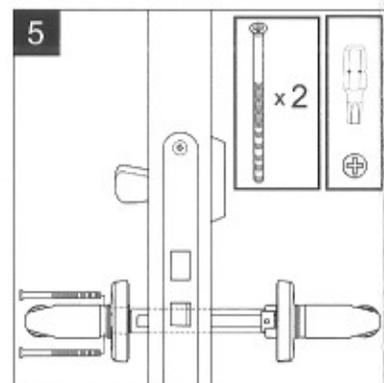
Door preparation

- Drill a 22mm min. hole through the door to accommodate the cam around the spindle
- Drill 38mm fixing centres

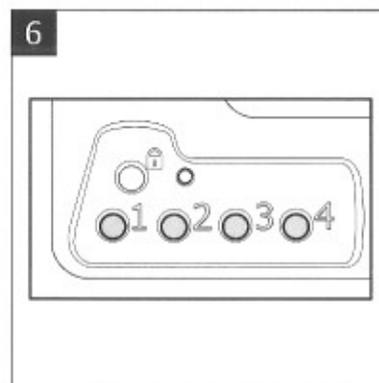
3. Place the inner handle on the door and pass the fixing screws through. Cut the screws close to the outside face of the door.



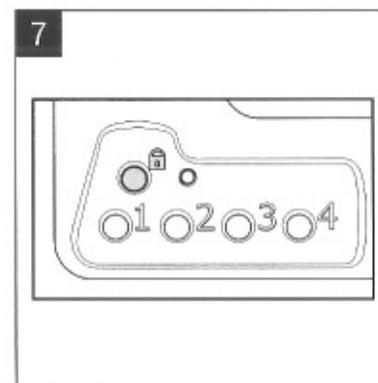
4. Fit the handles on the door ensuring they are kept horizontal when fixing.



5. Connect the inner and outer handle with the screws. Be sure to fit the handle correctly, so that both handles operate without any problems.



6. Add at least one user code (see operating instructions overleaf). Unlock the handle by entering the correct code (buttons 1-4). If incorrect code is entered the light will flash changing between green and red. The handle will stay unlocked when the correct code has been entered.



7. Lock the handle by pressing the lock button. The handle will now stay locked.

CODE HANDLE

Fitting and operating instructions

UNION

ASSA ABLOY

Batteries

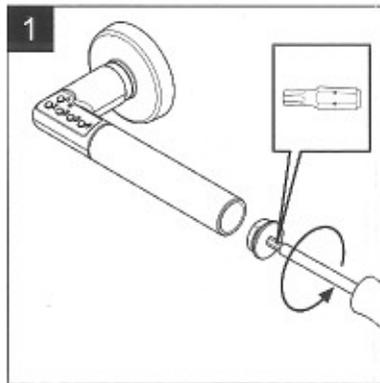
UNION Codehandle is battery operated and is normally delivered with batteries fitted.

Batteries are expected to last several years depending upon the level of use. When the battery life is reduced to a minimum the LED will flash red each time a button is pressed and after a correct code is entered.

Change batteries as described in steps 1-3 below. Battery type is CR2. No user codes will be lost during the battery change.

User codes

UNION Codehandle can store up to nine different user codes at one time. With use of an administration code you can add, change or delete a user code from the memory an unlimited amount of times. Each user code can consist of 4, 5 or 6 digits.



1. Unscrew the battery cover with the enclosed security bits.

Add or change a code in the memory:

1. Press the lock button until the red LED shines constantly.
2. Enter the administration code within five seconds, the LED will then shine green.
3. Choose which of the nine user codes is to be entered/changed by pressing button no.1 a representative number of times. e.g. one press for user code one, two presses for user code two, etc.
4. Wait until the green LED shines constantly.
5. Enter the new user code, consisting of 4, 5 or 6 digits.
6. Press the lock button to confirm or wait until the green LED is turned off.
7. Additional codes can be added by following the above procedure.

Delete a code from memory:

1. Press the locking button until the red LED shines constantly.
2. Enter the administration code within five seconds, the LED will then shine green.
3. Select the user code to be deleted by pressing button No.1 a representative number of times.
4. Wait until green LED shines constantly.
5. Press the lock button to delete, the red LED will flash to confirm the user code has been deleted from memory.



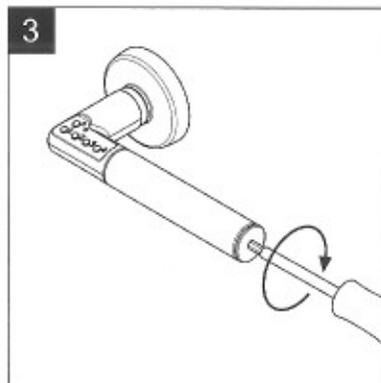
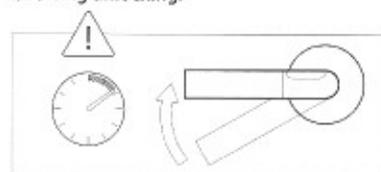
2. Press the handle down and let the two batteries fall out. Fit two new batteries. Be sure to fit them in correct position.

Automatic locking

The UNION Codehandle will be delivered in manual mode. The handle can be programmed to lock automatically after unlocking.

1. Press the lock button until the red LED shines constantly.
2. Enter the administration code within five seconds, the LED will then shine green.
3. Press button No. 3 to turn automatic locking mode on/off. A strong double tone indicates auto-locking is on and a weak tone indicates auto-locking is off.
4. Press the lock button to confirm or wait until the green LED is turned off.

Automatic mode will turn off if the handle is held down for longer than 9 seconds following unlocking.



3. Replace the battery cover.

Passage mode

While in automatic locking, a passage mode can be switched on to keep the handle unlocked.

1. Enter a correct user code to unlock the handle and wait for the LED to stop flashing.
2. Then press button 1 and 4 at the same time. Passage mode is now switched on.
3. Press the lock button to lock the handle.

Sound signal

The sound signal can be turned off/on by the use of the administration code.

1. Press the lock button until the red LED shines constantly.
2. Enter the administration code within five seconds, the LED will then shine green.
3. Press button No. 2 to turn the sound signal off/on. A weak signal indicates the sound is off and a strong double signal indicates the sound is on.
4. Press the lock button to confirm or wait until the green LED is turned off.

Security

If an incorrect code is entered five times the handle is locked-out for three minutes and the LED will flash red every five seconds.

1. To remove the lock-out enter a correct user code twice.
2. Enter the user code once more to gain access.

Memory reset

The handle can be reset back to factory settings by changing the administrator code.

(See step 1 overleaf)

The handle is supplied as:

- No user code set
- Sound signal on
- Auto-lock off

REMEMBER YOUR CODES

Keep Safe

Administration Code:

Code _____

User Codes:

Code 1 _____

Code 2 _____

Code 3 _____

Code 4 _____

Code 5 _____

Code 6 _____

Code 7 _____

Code 8 _____

Code 9 _____



ASSA ABLOY

UNION Architectural Hardware
School Street
Willenhall
West Midlands
WV13 3PW
T - 0845 22 32 124
w - www.uniononline.co.uk

CHD 01.10