

Since 1968

COMMAX
SmartHome & Security

User Manual

DOOR PHONE DP-LA01M,LA01S



www.commax.com

COMMAX Co.,Ltd.



- Thank you for purchasing COMMAX products.
- Please carefully read this User's Guide (in particular, precautions for safety) before using a product and follow instructions to use a product exactly.
- The company is not responsible for any safety accidents caused by abnormal operation of the product.



Contents

1. Introduction	2
2. Important Safeguards	3
3. Overview	4
4. Operation	5
5. Wiring.....	6
6. Specifications.....	7



1. Introduction

Your unit is designed so it can be flush mounted on the or used. When flush mounted on the wall, the stand permits you to the unit for an gular of unit view. The model number is located on the bottom and record the serial number in the space provided below(available). Refer to these numbers whenever you call upon your COMMAX dealer regarding this product.

Model No.

Serial No.

To prevent fire or shock hazard, do not expose the unit to rain or moisture.



This symbol is intended to alert the use to the presence of uninsulated **"dangerous Voltage"** within the product' s enclose that may be of sufficient magnitude to constitute a risk of electric shock to persons.



This symbol is intended to alert the use to the presence of important operating and maintenance(servicing) instructions in the literature accompanying the appliance



caution

Risk of electric shock
do not open



CAUTION : To reduce the risk of electric shock, do not remove cover(or back) no user-serviceable part inside refer servicing to qualified service personnel



2. Important Safeguards

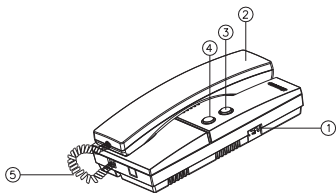
- ▲ **Damage Requiring Service:** This equipment from the power source and source and refer servicing to qualified service personnel under the following conditions:
 - ① when the power is damaged.
 - ② if liquid has been spilled or objects have fallen into the unit
 - ③ if the equipment has been exposed to rain or water.
 - ④ if the equipment has been dropped or otherwise damaged.
 - ⑤ when the equipment exhibits a distinct change in performance- this indicates a need for service.
- ▲ **Water and Moisture:** Do not use this product near water, for example, near a bath tub, wash bowl, kitchen sink, or laundry tub, in a wet basement, or near a swimming pool, and the like.
- ▲ **Accessories:** The product may fall, causing serious injury to a child or adult, and serious damage to the appliance. Any mounting of the manufacture's instructions, and should use a mounting accessory recommended by the manufacturer.
- ▲ **Object and Liquid Entry:** Never push objects of any kind into this product through openings as they may touch dangerous voltage points or short-out parts that could result in a fire or electric shock. Never spill liquid of any kind on the product.
- ▲ **Lightning:** For added protection for this product before a lightning storm, or when it is left un attached and un used for long periods of time, unplug it from the wall outlt and disconnect the other system. This will prevent damage to the product due to lightning and power-line surges. If you live in an area heavily prone to lightning storms, it is recommended that you invest in power-line, telephone-line, RFcable and actuator/ polarization surge protectors to protect your appliance system from possible damage



3. Overview

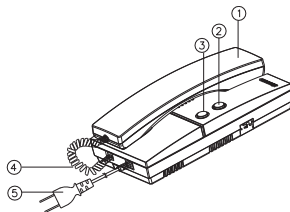
Controls and functions

MASTER ROOMSTATION
DP-LA01M



- ① VOLUME CONTROL KLOB
- ② HANDSET
- ③ CALL BUTTON FOR ROOM
- ④ DOOR RELEASE BUTTON
- ⑤ HANDSET CORD

SUB ROOMSTATION
DP-LA01S



- ① HANDSET
- ② CALL BUTTON FOR ROOM
- ③ DOOR RELEASE BUTTON
- ④ HANDSET CORD
- ⑤ AC POWER CORD



4. Operation

[Communication with the door station]

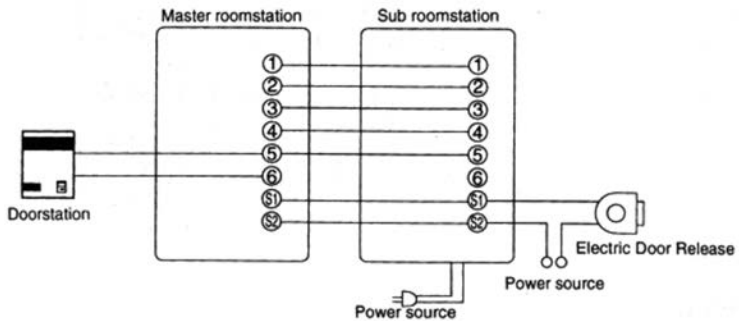
1. When a visitor press the calling button, both handset Master and Slave ring.
(Volume can be adjusted by the switch on the side of handset: only DP-LA01M)
2. Pick up one handset between Master and Slave and start the communication.
3. Check the visitor first and push the door open button to open the door.

[Communication between handset : DP-LA01M ↔ DP-LA01S]

1. Pick up the handset to call another handset. (The handset will be called while the button is being pushed.)
2. When other party gets the phone, the conversation begins.
3. If a visitor presses the call button while the handset is being used, the handset will ring
4. Hang up the phone to finish the conversation between handsets and pick it up again to begin the conversation with the visitor.

(If you pick up the handset, it will be connected to the door unit automatically.)

5. Wiring





6. Specifications

Power source	AC 110/120/220/230/240V,50-60Hz
Output power(Audio)	70mW
Output power(Call)	H : 400mW
	L : 100mW
Effective Distance	Room-Room : 30m/0.65 \emptyset
	Room-Door : 50m/0.65 \emptyset
Dimesion	98(W)x208(D)x60(H)mm
Weight	Master-Roomstation : 510g/pc
	Sub-Roomstation : 675g/pc



MEMO

COMMAX

COMMAX Co.,Ltd.

513-11, Sangdaewon-dong, Jungwon-gu, Seongnam-si, Gyeonggi-do, Korea
Int'l Business Dept. : Tel.; +82-31-7393-540~550 Fax.; +82-31-745-2133
Web site : www.commax.com

Printed In Korea / 2013.07.105